

Junction box for vandal dome, vandal ball and vandal fisheye cameras

DWC-VAJUNC	DWC-VFJUNCW	DWC-VFZJUNC
------------	-------------	-------------



WHAT'S IN THE BOX

Camera Mounting Screws		3 sets	Quick Setup Guide		1
Screws and Plastic Anchors		4	Mounting Template		1

NOTE: Download all your support materials and tools in one place.

1. Go to: <http://www.digital-watchdog.com/resources>
2. Search your product by entering the part number in the **'Search by Product'** search bar. Results for applicable part numbers will populate automatically based on the part number you enter.
3. Click **'Search'**. All supported materials, including manuals and quick start guide (QSGs) will appear in the results.

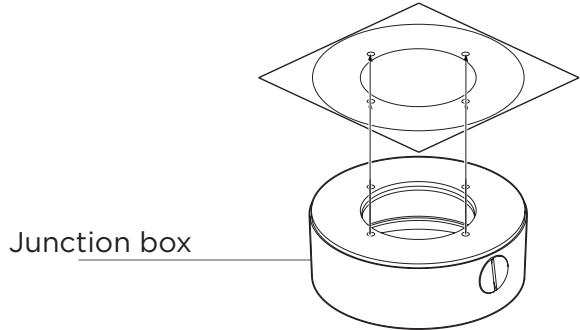


INSTALLATION

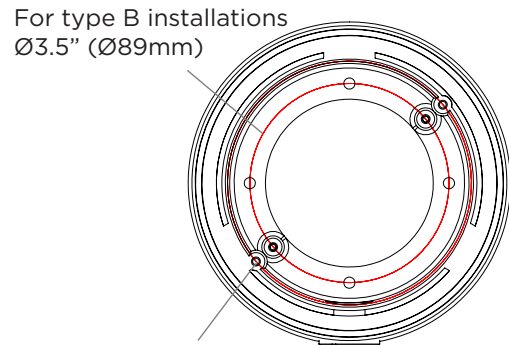
- Using the mounting template or the junction box itself, mark and drill the necessary holes on the mounting surface.
- Secure the junction box to the mounting surface using the screws and anchors included.
- To mount the camera to the mounting accessory, remove the dome from the camera base using the wrench included with the camera.

NOTE: Do not touch the lenses when handling the camera modules.

- Pass wires through and make all necessary connections.
- Secure the camera to the mounting bracket using the included screws. The junction box has two (2) camera mounting screw sets and two mounting options. See the table below for the length of the screws and compatible cameras and which mounting holes to use.



Screw size	Compatible camera	Installation Option
10mm screws 	DWC-XSDA models	Installation option A
20mm screws 	DWC-MV8 and DWC-MPV8 models DWC-MVC and DWC-MPVC models DWC-PVF and DWC-PPVF models DWC-MF and DWC-MPF models	Installation option A/B*
23mm screws 	DWC-VA models DWC-MVA models DWC-MPVA models	Installation option B
35mm screws 	DWC-MVD and DWC-MPVD models	Installation option A



For type B installations
Ø3.5" (Ø89mm)

- Adjust the camera's lens position and angle and place the cover dome on the camera base to complete the installation.

*** NOTE: How to tell what MF, V8 or PVF hardware you have:**
 If the camera's mounting holes are located on the outer edge of the camera's base, use the 20mm screws WITHOUT the rubber gaskets and installation option A.
 If the camera's mounting holes are located on the inner edge of the camera's base, use the 20mm screws with the rubber gaskets included and installation option B.

